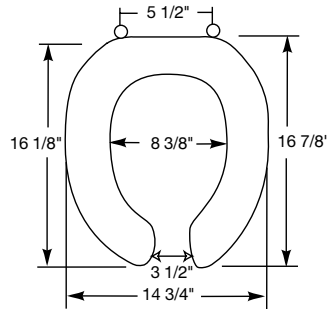




Seats shall be No. 3L2050 as manufactured by Church Seats to allow an additional 3" of height above the rim of the bowl. Seats shall contain DuraGuard[®], an antimicrobial agent. Seats shall be heavy weight and injection molded of solid plastic. Seats shall be open front with cover for regular bowl and feature large molded-in bumpers. Hinges and pintles feature 300 Series stainless steel. Color to be white.

MODEL 3L2050

- 3" LIFT SEAT
- REGULAR SEAT
OPEN FRONT WITH COVER
- SOLID PLASTIC
- DURAGUARD[®]
ANTIMICROBIAL AGENT



Ring thickness is 13/16"
 Ring thickness including the bumper is 3-1/16"
 Height of the seat with cover is 4-5/16"

