

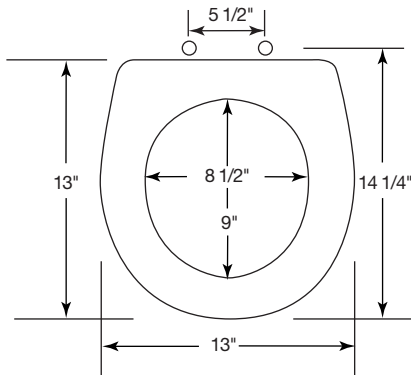


R E S I D E N T I A L M O L D E D W O O D S E A T S



TC50TT

Seats shall be No. TC50TT as manufactured by Bemis Manufacturing Co. Seats shall be molded wood, multi-coat enamel finish with closed front and cover for the smallest **trailer or marine bowls** or portable toilets. Feature color-matched bumpers and Top-Tite® hinge, with corrosion-free plastic nut and bolt. Color to be white.



TOP-TITE®
HINGES LOCK SECURELY

Ring thickness is $\frac{13}{16}$ "
Ring thickness including the bumper is $1\text{-}\frac{1}{16}$ "
Height of the seat with cover is $2\text{-}\frac{5}{16}$ "