

Home Care Technical Specification

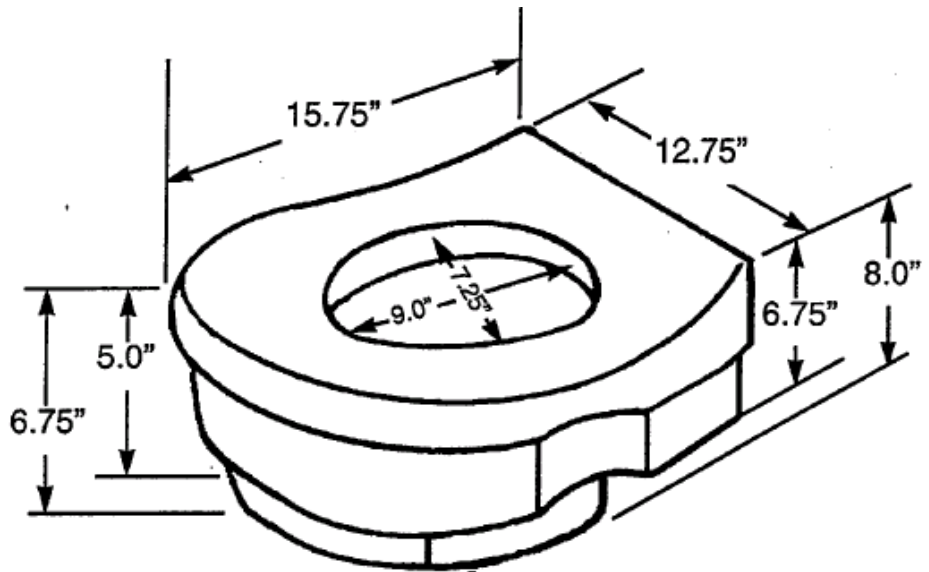
Safety Toilet Seat

DN7020

Stock Numbers:

- q **DN7020 – Safety Toilet Seat**
White Molded Plastic
Photo Box Packaging with Handle

Dimensions:



Materials:

ASSEMBLY TESTED
TO CONFIRM ADA
COMPLIANCE



Safety Toilet Seat is made from high impact molded white polyethylene.

WARNING

This product has a maximum user weight of 250lbs. Do not jump or stand on this seat. Contact CSI Customer Service immediately at 1-800-882-0116 if any components are damaged or missing. Making substitutions or modifying this product in any way will void your warranty. CSI assumes no liability for any damage or injury caused by improper assembly, installation or use of this product.

Installation Instructions:

1. Raise toilet seat and lid.
2. Place elevated toilet seat directly on rim of toilet bowl.

Stock Number: _____ **Safety Toilet Seat**
By CSI Bath Furnishings



25300 AL MOEN DRIVE • NORTH OLMSTED, OH 44070 (800) 321-8809 •
FAX: (800) 848-6636 • INTERNATIONAL: (440) 962-2000 •
FAX: (440) 962-2726 CUSTOMER SERVICE (USA): 800-882-0116
©Copyright CSI Bath Furnishing Division of Moen 02/22/01