

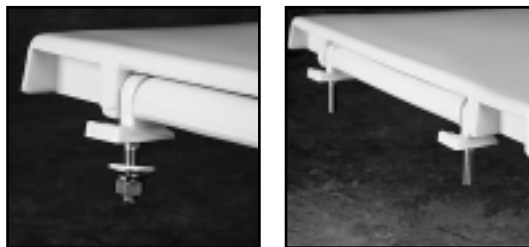
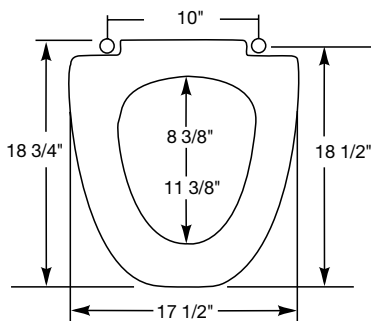


R E S I D E N T I A L P L A S T I C S E A T S



LC212

Seats shall be No. LC212 as manufactured by Bemis Manufacturing Co. Seats shall be durable solid plastic with closed front and cover for American Standard Roma 2009.017, Luxor 2003.010, Luxor 2003.036 and Carlysle 2010.031 elongated bowls. Wide back design shall feature flush-fitting cover, large molded-in bumpers on seat and cover. Hinges to be color-matched plastic with stainless steel hinge posts on 10" centers. Color to be _____ (specify white or fixture manufacturer's color.)



**COLOR-MATCHED
HINGES WITH STAINLESS
STEEL HINGE POSTS**

Ring thickness is 13/16"
Ring thickness including the bumper is 1"
Height of the seat with cover is 2-1/2"