

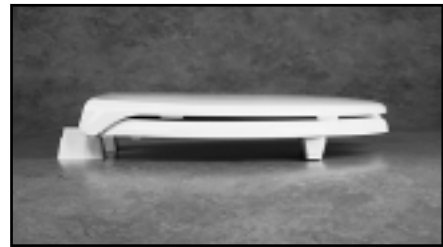
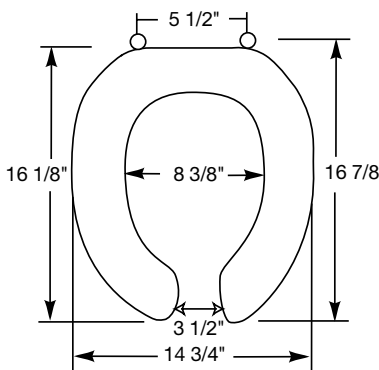


M E D I C - A I D [®] S E A T S



2L2050

Seats shall be No. 2L2050 as manufactured by Bemis Manufacturing Co. to allow an additional 2" of height above the rim of the bowl. Seats shall contain DuraGuard[®], an antimicrobial agent. Seats shall be heavy weight and injection molded of solid plastic. Seats shall be open front with cover for regular bowl and feature large molded-in bumpers. Hinges and pintles feature 300 Series stainless steel. Color to be white.



Ring thickness is 13/16"
Ring thickness including the bumper is 2-1/16"
Height of the seat with cover is 3-5/16"