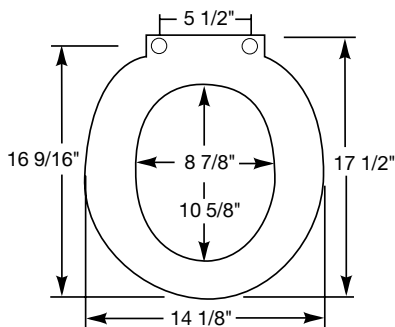




M E D I C - A I D [®] S E A T S

4LR

Seats shall be No. 4LR as manufactured by Bemis Manufacturing Co. Seats to allow an additional 4" of height above rim once seat is installed. (Seat to be purchased separately.) Lift shall be 3" high, regular closed front, hollow core, heavy-duty plastic containing DuraGuard[®] an antimicrobial agent. Offset mounting bracket to be 300 Series stainless steel. Bracket to allow both lift and seat to be raised to vertical position for cleaning. Lift may be used in combination with most seats. Color to be white.



Ring thickness including the bumper is 3"