

PREMIUM MOLDED WOOD SEATS

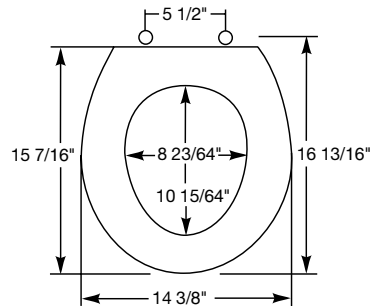


Church premium seats add a dramatic new dimension to style and fashion. These seats are engineered with careful attention to every detail. Highest quality, sleek, timeless design from Church.

Seats shall be No. 540 as manufactured by Church Seats. Seats shall be molded wood, multi-coat enamel finish with closed front and cover to fit regular bowl. Color-matched bumpers and hinges. Ultima™ hinges with non-corrosive top-tightening bolts, wing nuts and no-slip washers. Color to be _____. (specify white or fixture manufacturer's color.)

MODEL 540

- **REGULAR SEAT
CLOSED FRONT WITH COVER**
- **MOLDED WOOD**
- **ULTIMA™ HINGE**



Ring thickness is 3/4"
Ring thickness including the bumper is 1-1/16"
Height of the seat with cover is 1-7/8"

