

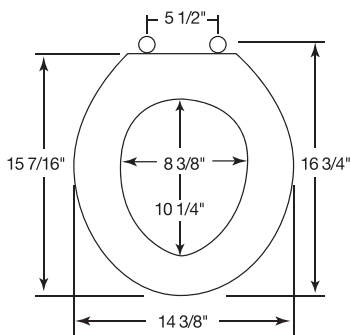


R E S I D E N T I A L M O L D E D W O O D S E A T S

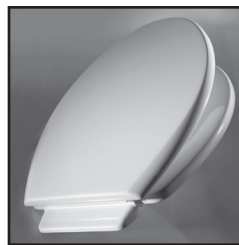


930XC XCITE!™

Seats shall be 930XC as manufactured by Bemis Mfg. Co. Seats shall be molded wood, multi-coat enamel finish with closed front and cover to fit round bowl. Color matched bumpers and hinges. Integrated XCITE!™ hinge with no visible hardware or fasteners. Color to be white.



Ring thickness is 5/8"
Height of the seat with cover is 2-1/4"



SMOOTH, HYGIENIC DESIGN



NO VISIBLE HARDWARE
OR FASTENERS



SECURE, STABLE MOUNT