

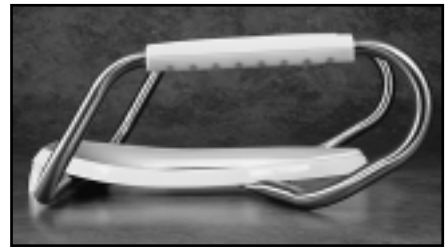
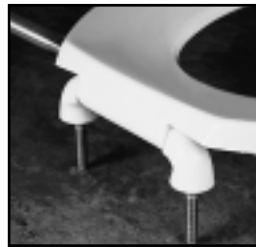
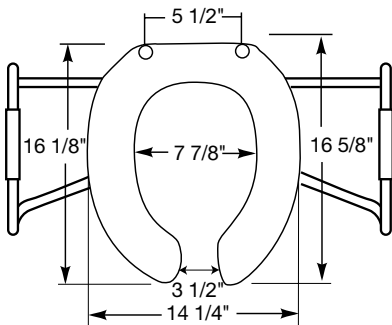


M E D I C - A I D <sup>®</sup> S E A T S



## MA2055

Seats shall be No. MA2055 as manufactured by Bemis Manufacturing Co. Seats shall be open front less cover for regular bowl and injection molded of heavy duty solid plastic. Seats shall contain DuraGuard<sup>®</sup>, an antimicrobial agent. Factory-assembled "Safety-Side" arms shall be heavy-duty stainless steel and feature textured plastic handgrips with finger grooves. Seat shall feature large molded-in bumpers. Hinges shall feature 300 Series stainless steel mounting posts, washers, and hex nuts. Color to be white.



Ring thickness is 13/16"  
 Ring thickness including the bumper is 1"  
 Height of the seat is 2-1/4"

