

Features

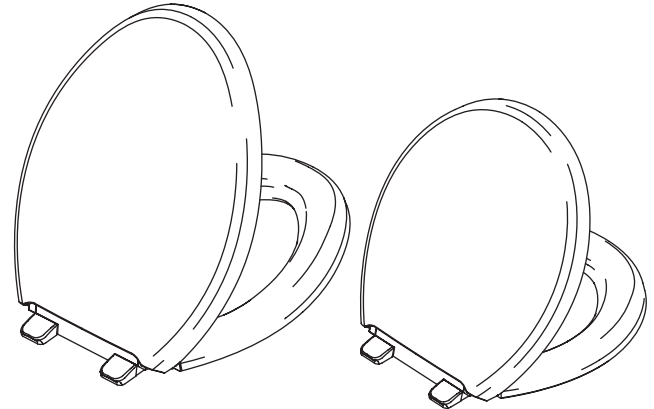
- Solid polypropylene plastic
- Elongated closed-front or round closed-front
- Quiet-Close™ technology prevents lid from slamming
- Quick-Release™ functionality allows for ease of cleaning
- Removable soft ring for user comfort

SOFT TOILET SEAT
K-4763
ALSO K-4764

Codes/Standards Applicable

Specified model meets or exceeds the following:

- ANSI Z124.5



K-4763

K-4764

Colors/Finishes

Soft Ring

- 0: White
- D13: Soft Red
- D14: Soft Black
- Other: Refer to Price Book for additional colors/finishes

Seat

- 0: White
- Other: Refer to Price Book for additional colors/finishes

Specified Model

Model	Description	Soft Ring Colors/Finishes*				Seat Colors/Finishes*	
K-4763	Soft toilet seat – elongated closed-front	<input type="checkbox"/> 0	<input type="checkbox"/> D13	<input type="checkbox"/> D14	<input type="checkbox"/> Other _____	<input type="checkbox"/> 0	<input type="checkbox"/> Other _____
K-4764	Soft toilet seat – round closed-front	<input type="checkbox"/> 0	<input type="checkbox"/> D13	<input type="checkbox"/> D14	<input type="checkbox"/> Other _____	<input type="checkbox"/> 0	<input type="checkbox"/> Other _____

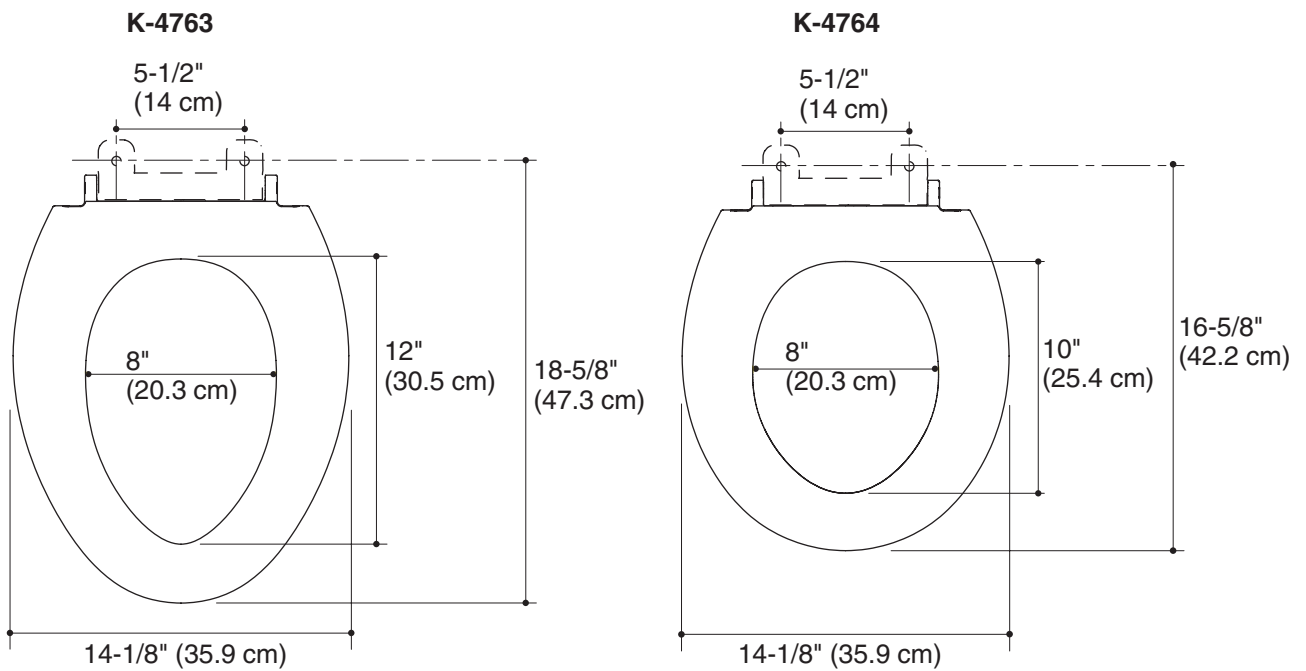
*Specify soft ring and seat colors/finishes when ordering.

Product Specification

The soft toilet seat shall be made of solid polypropylene plastic. Product shall feature a removable soft ring for user comfort. Product shall be available in elongated closed-front or round closed-front. Product shall feature Quiet-Close technology, which prevents the lid from slamming. Product shall feature Quick-Release functionality, which allows for ease of cleaning. The soft toilet seat shall be Kohler Model K-____-____-____.

Installation Notes

Install this product according to the installation guide.



Product Diagram